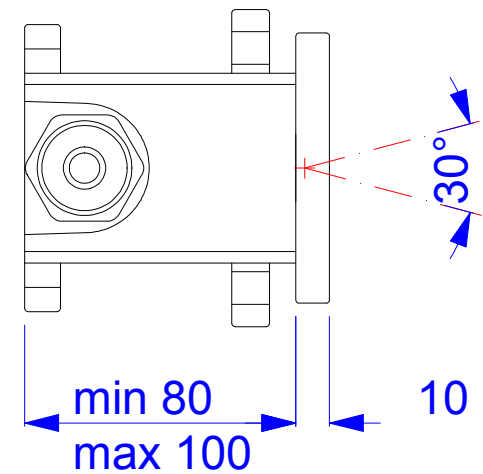
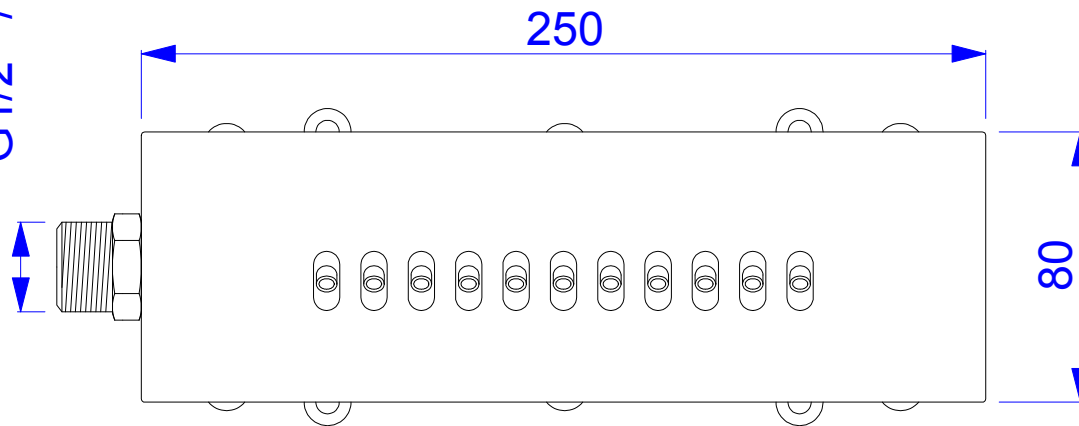



G1/2" / NPT



DRAWN Maurizio Amato	2018-01-22			
CHECKED				
QA		TITLE		
APPROVED		<h1>Wave-RC-250/80-B by Aquatica</h1>		
		SIZE C	DWG NO	REV
		SCALE		SHEET 1 OF 1